

**WRITING YOUR THESIS WITH LATEX WITH A
VERY, VERY, VERY LONG TITLE**

JOSEPH OOI & LIM LIAN TZE

UNIVERSITI SAINS MALAYSIA

2024

**WRITING YOUR THESIS WITH LATEX WITH A
VERY, VERY, VERY LONG TITLE**

by

JOSEPH OOI & LIM LIAN TZE

**Thesis submitted in fulfilment of the requirements
for the degree of
Doctor of Philosophy**

February 2024

ACKNOWLEDGEMENT

Many thanks to Prof. Donald Knuth for giving us $\text{T}_{\text{E}}\text{X}$, and Leslie Lamport for $\text{L}_{\text{A}}\text{T}_{\text{E}}\text{X}$.

I first learned $\text{L}_{\text{A}}\text{T}_{\text{E}}\text{X}$ as an undergraduate student in Computer Science at the University of Warwick. Back in Malaysia, I picked it up again while doing my M.Sc. at USM, as part of some productive procrastination (there I've admitted it!!). This coincided with Dr. Dhanesh's and Dr. Azman's efforts in raising awareness about $\text{L}_{\text{A}}\text{T}_{\text{E}}\text{X}$ at USM during NaCSPC'05 – somehow one thing led to another, and I now conduct trainings and consultations on $\text{L}_{\text{A}}\text{T}_{\text{E}}\text{X}$. ☺

Since then, many friends and fellow $\text{L}_{\text{A}}\text{T}_{\text{E}}\text{X}$ users have given feedback and helped relayed important updates from IPS to me, to help improve the class and template. It has actually come to a point where you are too numerous to name! Thank you all, as well as everyone who has attended my talks and workshops, used my various templates, downloaded examples from my website (<http://liantze.penguinattack.org/latextypesetting.html>).

Hope everyone graduates quickly then!

Joseph Ooi: Many thanks to LianTze Lim and wnarffin for maintaining the GitHub repo which contains the $\text{L}_{\text{A}}\text{T}_{\text{E}}\text{X}$ template, without which my attempt at reproducing the likeness of the latest thesis template version from USM would be unachievable. Here's to hoping more people taste the forbidden fruit that is $\text{L}_{\text{A}}\text{T}_{\text{E}}\text{X}$ and forsake Microsoft Office Word. Happy $\text{L}_{\text{A}}\text{T}_{\text{E}}\text{X}$ -ing everyone!

Joseph Ooi: By the way, don't worry about if warnings that the hyper reference to some of your defined acronyms not being defined pop up. They should go away once you use those acronyms via $\backslash\text{ac}\{\dots\}$ or $\backslash\text{acs}\{\dots\}$ or $\backslash\text{acf}\{\dots\}$ or something else at least once in your text. Or you can just ignore them.

TABLE OF CONTENTS

ACKNOWLEDGEMENT	ii
TABLE OF CONTENTS	iii
LIST OF TABLES	v
LIST OF FIGURES	vi
LIST OF PLATES	viii
LIST OF SYMBOLS	ix
LIST OF ABBREVIATIONS	x
LIST OF APPENDICES	xi
ABSTRAK	xii
ABSTRACT	xiii
CHAPTER 1 INTRODUCTION: SAMPLES OF BASIC L^AT_EX	1
1.1 Some Simple Command Usages.	1
1.2 Special Characters	3
1.3 Useful Resources	4
CHAPTER 2 CITATIONS AND BIBLIOGRAPHY	5
2.1 The *.bib File	5
2.2 Citations using the natbib package	6
2.2.1 Author-Year System	6
2.2.2 Numeric System	7
CHAPTER 3 FIGURES, TABLES, EQUATIONS, ALGORITHMS, ETC.	8
3.1 Inserting Figures	8
3.2 How Do I Do Subfigures?	10

3.3	Inserting Plates	11
3.4	Inserting Tables	11
3.5	Full-paged, Sideways Figures and Tables	14
3.6	Mathematical Equations	14
3.7	Acronyms	16
3.8	Typesetting Algorithms	17
3.9	Program Listings	18
	CHAPTER 4 IMPLEMENTATION.....	21
4.1	Printing Your Thesis.....	21
	CHAPTER 5 DISCUSSION.....	22
	CHAPTER 6 CONCLUSION	23
	REFERENCES	24
	APPENDICES	
	LIST OF PUBLICATIONS	

LIST OF TABLES

	Page
Table 1.1 Special Characters in L ^A T _E X	3
Table 3.1 Sample Table Only	12
Table 3.2 A table with decimal data	13
Table 3.3 A table with decimal data (mis-aligned)	13

LIST OF FIGURES

	Page
Figure 1.1	Common Layout and Formatting Tasks. Note how this long title wraps around I hope it works anyway. Look it needs more, so here's some more longer text. Is that enough? I hope it is. 2
Figure 1.2	Compact Lists 3
Figure 2.1	A BibTeX Entry 5
Figure 3.1	Including a Graphics File 8
Figure 3.2	Pythagoras' Theroem..... 9
Figure 3.3	Creating subfigures within figures. 10
Figure 3.4	This is the main caption of the figure. 11
Figure 3.4(a)	First caption 11
Figure 3.4(b)	Second caption 11
Figure 3.5	Inserting a Plate 11
Figure 3.6	Typesetting Tables..... 12
Figure 3.7	Aligning decimal data in tables 13
Figure 3.8	Including a sideways, full-page graphic 14
Figure 3.9	A full-page, sideways figure 15
Figure 3.10	Typesetting Mathematical Equations 16
Figure 3.11	The template <code>loa.tex</code> for acronyms 17
Figure 3.12	Typesetting Algorithms 17
Figure 3.13	Typesetting a Java program listing 18
Figure 3.14	A pretty-printed Java program listing with syntax highlighting... 19
Figure 3.15	Typesetting a C program listing 19
Figure 3.16	A pretty-printed C program listing with syntax highlighting 19

Figure 3.17 A C program listing without syntax highlighting 20

LIST OF PLATES

	Page
Plate 3.1 School of Computer Sciences, USM	12

LIST OF SYMBOLS

\lim	limit
θ	angle in radians

LIST OF ABBREVIATIONS

IPS	Institut Pengajian Siswazah
PPSK	Pusat Pengajian Sains Komputer
USM	Universiti Sains Malaysia
UTMK	Unit Terjemahan Melalui Komputer
SYDUUCF	Something You Don't Usually Use Capitalization For

LIST OF APPENDICES

Appendix A Data Used

Appendix B UML Diagrams

PENULISAN TESIS DENGAN LATEX

ABSTRAK

Ini merupakan abstrak Melayu untuk tesis USM. Ianya disediakan dengan sistem penyediaan dokumen \LaTeX .

**WRITING YOUR THESIS WITH LATEX WITH A VERY, VERY, VERY
LONG TITLE**

ABSTRACT

This is the English abstract of a USM thesis. It was prepared with the \LaTeX document typesetting system.

CHAPTER 1

INTRODUCTION: SAMPLES OF BASIC L^AT_EX

Hello and welcome, Universiti Sains Malaysia (USM) research postgrad! The `usmthesis` package and template files were written in the hope that they may help you prepare your research thesis using L^AT_EX, based on the Institut Pengajian Siswazah (IPS) requirements (Institute of Graduate Studies, Universiti Sains Malaysia, 2007). **Please note that this version is based on the *new* guidelines, in force 17 Dec 2007 onwards. Consequently, via independent effort from Joseph Ooi Boon Han, this template is updated to be as close to the latest template from USM (as of *September 2023*).**

L^AT_EX is powerful and produces beautiful documents. However, there is definitely a learning curve to it – one that is worth the effort. If you find any errors in these templates or documents, or have any suggestions or feedback, do e-mail me about it (`liantze@gmail.com`). The author cannot always guarantee prompt response, however. ☺

MiK_TE_X, my recommended L^AT_EX distribution for Windows, is available on the CSPC'07 CD. A step-by-step installation walkthrough is available at (Lim, 2007).

1.1 Some Simple Command Usages.

There are plenty of free L^AT_EX tutorials online, some of which are listed in the bibliographies or available at <http://e-office.cs.usm.my>. This sample thesis includes some examples to do some common tasks. We start with some examples for lists (both bulleted and numbered), highlighting texts in bold and italic, and URLs:

1. bulleted and numbered lists,
2. footnotes¹,
3. font effects such as

¹This is a footnote. However note that footnotes are not encouraged for the sciences.

```

\begin{enumerate}
\item bulleted and numbered lists,
\item footnotes\footnote{This is a footnote. However note that
    footnotes are not encouraged for the sciences.},
\item font effects such as

\begin{itemize}
\item \textbf{bold},
\item \emph{italic}, and
\item \texttt{typewriter-like}
\end{itemize}

\item URLs and e-mail addresses: \url{http://www.cs.usm.my/~llt/}, \
    url{dummy.add@hotmail.com};
\item citations: see Chapter \ref{chap:review}.
\end{enumerate}

```

Figure 1.1: Common Layout and Formatting Tasks. Note how this long title wraps around I hope it works anyway. Look it needs more, so here's some more longer text. Is that enough? I hope it is.

- **bold,**
- *italic,* and
- typewriter-like

4. URLs and e-mail addresses: `http://www.cs.usm.my/~llt/`, `dummy@hotmail.com`;
5. citations: see Chapter 2

Incidentally, if you feel that the lists above are too far apart vertically, you can customise them using the `enumitem` package. The effect is then like the following:

1. item one,
 2. item two,
 3. item three.
- item one,
 - item two,
 - item three.


```

\begin{enumerate}[nosep]
\item item one,
\item item two,
\item item three.
\end{enumerate}

\begin{itemize}[nosep]
\item item one,
\item item two,
\item item three.
\end{itemize}

```

Figure 1.2: Compact Lists

Granted, the lists are still wide, but this is because we need to honour the requirement for double line-spacing.

1.2 Special Characters

Bear in mind that certain characters are special \LaTeX symbols and need to be escaped, as shown in Table 1.1.

Table 1.1: Special Characters in \LaTeX

Symbol	Name	Escape code
#	hash, pound	\#
\$	dollar	\\$
%	percent	\%
^	“hat”	\~{ }
&	ampersand	\&
_	underscore	_
{	left brace	\{
}	right brace	\}
~	tilde	\~{ }
~	wide tilde	\sim
“	open double quotes	‘
”	close double quotes	’

Note that for quotation marks, you might prefer ‘‘this’’ and ‘that’ (“this” and ‘that’) instead of "this" and 'that' ("this" and 'that').

If you need to typeset special characters (such as ☉, ☿, ☺, ♀, etc), take a look at the Comprehensive \LaTeX Symbol List. It should be under C:\ProgramFiles\MiKTeX2.

9\doc\info\symbols\comprehensive\symbols-a4.pdf if you installed MiKTeX on a Windows machine.

1.3 Useful Resources

(Mittelbach et al., 2004) is a *very* useful book — but it’s quite an investment at RM180++. A worthy one, nevertheless. Roberts (2005) has a website with very good L^AT_EX tutorials at <http://www.comp.leeds.ac.uk/andyr/misc/latex/>, too. Don’t forget the famous lshort tutorial (Oetiker et al., 2006).

I’ve also compiled a list that I find useful at <http://liantze.penguinattack.org/latextypesetting> (Lim, 2007).

CHAPTER 2

CITATIONS AND BIBLIOGRAPHY

This chapter should have been a survey on the history of $\text{T}_{\text{E}}\text{X}$ and $\text{L}_{\text{A}}\text{T}_{\text{E}}\text{X}$, and a comparison to conventional word processors in preparing academic documents. Due to lack of time on the author’s part, and also the abundance of such discussions on the web, we look at ways to prepare the bibliography and citations instead.

2.1 The *.bib File

First of all, bear in mind that your bibliography file (*.bib files) is like a database. That means you can maintain a centralised list, and reuse it for all your publications. $\text{L}_{\text{A}}\text{T}_{\text{E}}\text{X}$ will only list sources that you actually cite in the text for each document, according to the bibliography and citation style you select in each document. But you can still hack it so that your own publications are listed, even if you did not cite it.

```
@BOOK{latex:companion,  
  title = {The {\LaTeX} Companion},  
  publisher = {Addison-Wesley},  
  year = {2004},  
  author = {Frank Mittelbach and Michel Goossens and Johannes Braams  
    and David Carlisle and Chris Rowley},  
  series = {Addison-Wesley Series on Tools and Techniques for  
    Computer Typesetting},  
  address = {Boston, MA, USA},  
  edition = {2nd}  
}
```

Figure 2.1: A BibTeX Entry

As an example, in mybib.bib I created a BibTeX entry with JabRef, the source text of which is shown in Figure 2.1.

One thing to note about authors’ names: BibTeX recognises “Mittelbach” as the last name for both Frank Mittelbach and Mittelbach, Frank. So for a name like “Lim Lian Tze”, you would have to specify it as either Lian Tze Lim or Lim, Lian Tze for BibTeX to recognise “Lim” as the last name correctly. In addition, if the surname

or family name of an author consists of multiple words, enclose it with braces to avoid surprises, like so: Syed Muhammad Naquib {al-Attas}.

2.2 Citations using the natbib package

The usmthesis package imports the natbib and apacite package which provides flexible citation mechanisms, so see its documentation for more details. On a MiKTeX installation, use the command prompt to issue `mthelp --view natbib` and `mthelp --view apacite` to access the documentation. On TeXLive, simply type `texdoc natbib` and `texdoc apacite` and the documentation will be displayed automatically, if it's found on your machine.

The basic citation commands are `\citet` and `\citep`, which stands for *textual* and *parenthetical* citation respectively. They take extra arguments, too, for adding notes in the citations.

2.2.1 Author-Year System

The default bibliography style is APA:

- `\citet{latex:companion}` → Mittelbach et al. (2004)
- `\citet[chap.~2]{latex:companion}` → Mittelbach et al. (2004, chap. 2)
- `\citep{latex:companion}` → (Mittelbach et al., 2004)
- `\citep[chap.~2]{latex:companion}` → (Mittelbach et al., 2004, chap. 2)
- `\citep[see also] []{latex:companion}` → (see also Mittelbach et al., 2004)
- `\citep[see also] [chap.~2]{latex:companion}` → (see also Mittelbach et al., 2004, chap. 2)
- `\citet{latex:companion,roberts}` → Mittelbach et al. (2004) and Roberts (2005)
- `\citep{latex:companion,roberts}` → (Mittelbach et al., 2004; Roberts, 2005)

You may also want to write only the author's name or year occasionally:

- `\citeauthor{latex:companion}` → Mittelbach et al.
- `\citeyear{latex:companion}` → 2004
- `\citeyearpar{latex:companion}` → (2004)

2.2.2 Numeric System

If you prefer the plain, numerical system, do the following steps first:

1. In `usmthesis.cls`, search for the line `\RequirePackage[natbibapa]{apacite}` and modify it to:

```
\RequirePackage[numbers]{natbib}
```

2. In `usmthesis.tex`:

- modify the bibliography styles to:

```
\bibliographystyle{plainnat}
```

```
\bibliographystyleown{plainnat}
```

or any other number system style that you prefer.

You will then get the following citation outputs:

- `\citet{latex:companion}` → Mittelbach et al. [1]
- `\citet[chap.~2]{latex:companion}` → Mittelbach et al. [1, chap. 2]
- `\citep{latex:companion}` → [1]
- `\citep[chap.~2]{latex:companion}` → [1, chap. 2]
- `\citep[see also] []{latex:companion}` → [see also 1]
- `\citep[see also] [chap.~2]{latex:companion}` → [see also 1, chap. 2]
- `\citet{latex:companion,roberts}` → Mittelbach et al. [1], Roberts [3]
- `\citep{latex:companion,roberts}` → [1, 3]
- `\citeauthor{latex:companion}` → Mittelbach et al.
- `\citeyear{latex:companion}` → 2004
- `\citeyearpar{latex:companion}` → [2004]

CHAPTER 3

FIGURES, TABLES, EQUATIONS, ALGORITHMS, ETC

(This is supposed to be the design or methodology chapter. Instead, we include examples on inserting figures, tables, mathematical equations... i.e. things that you might want to include in your thesis.)

3.1 Inserting Figures

You can draw diagrams with special \LaTeX commands, but this may take some extra time to learn. I've had some forays into the `pgf` and `tikz` packages and must say I quite like the results; but as I said, they take time to learn. If you want a faster solution, you can draw your diagrams using other applications, and saving them as graphic files (EPS, PNG, JPG, PDF).

\LaTeX requires EPS (encapsulated postscript) graphic files when generating DVI output, and PNG, JPG or PDF when generating PDF output.

For exporting to EPS, try <http://www.cloudconvert.com>. It's like a Swiss knife for converting from almost any format, to almost any format.

Do note that IPS **discourages** the use of colours in your thesis, including diagrams and figures. Photographs and colour plates are exceptions to this rule: see Section 3.3.

Here's how to insert a picture with the filename `pythag.eps` or `pythag.png`. I'm going to display it here with 5cm width, and the caption "Pythagoras' Theorem".

```
\begin{figure}[hbt!]\centering
\includegraphics[width=50mm]{pythag}
\caption{Pythagoras' Theorem}\label{fig:pythagoras}
\end{figure}
```

Figure 3.1: Including a Graphics File

The result would be:

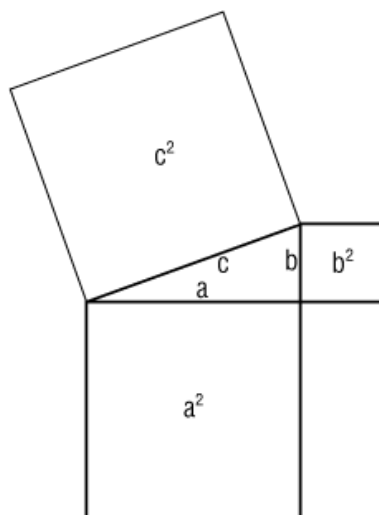


Figure 3.2: Pythagoras' Theroem

Don't specify the extension of the graphic file. The template will automatically look for the EPS or the PNG (or otherwise) versions, depending on whether latex or pdflatex was used. The figure environment will also ensure that that an entry is inserted into the *List of Figures* automatically – including the figure numbering, caption and page number.

In addition, the width of the included graphics can also be specified as a percentage of the text width, e.g. `width=.2\textwidth` would cause the graphics to occupy 20% of the text width.

Notice that I inserted a `\label` just after the `\caption`. This can be used for referencing the figure number, like this:

Figure `\ref{fig:pythagoras}` → Figure 3.2

This works the same for chapters, sections, tables, equations too. In `chap-intro.tex`, I labelled the Introduction chapter with `\label{chap:intro}`. I also labelled the section on inserting figures, `\label{sec:figure}`. So now I can do

Chapter `\ref{chap:intro}` → Chapter 1

section `\ref{sec:figure}` → section 3.1

Everytime the numbering of the heading changes, the reference will change automatically as well. **This is another advantage of using L^AT_EX**: you do not need to manually update the reference counters (nor the Table of Contents, List of Figures and Tables) whenever you add or remove figures, tables, sections or chapters.

You might also want to try out JpgfDraw: it is a vector graphics and drawing application (requiring Java), and can export to L^AT_EX code which you can paste into your L^AT_EX source. JpgfDraw is available from <http://theoval.cmp.uea.ac.uk/~nlct/jpgfdraw/index.html>.

3.2 How Do I Do Subfigures?

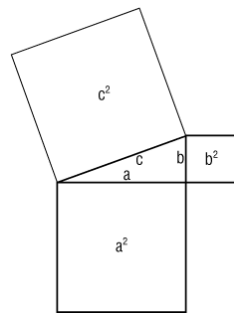
Here's an example on how to do subfigures (and similarly subtables):

```
\begin{figure}[hbt!]
  \begin{minipage}{.49\textwidth}
    \centering
    \subfloat[First caption]{\includegraphics[width=3cm]{pythag}} \
      label{fig:sub1}
    \end{minipage}
  \hfill
  \begin{minipage}{.49\textwidth}
    \subfloat[Second caption]{\includegraphics[width=0.8\textwidth]{
      USMScience}}\label{fig:sub2}
    \end{minipage}

  \caption{This is the main caption of the figure.}
  \label{fig:main}
\end{figure}
```

Figure 3.3: Creating subfigures within figures.

Joseph Ooi: This is how you can refer to Figure 3.4 and Figure 3.4(a) or even (b) in Figure 3.4 for example. You must make sure to keep your `\label{...}` for the subfigures inside the group, `{...}`, that contains `\includegraphics[]{}{}`. If you don't, the hyperlinks will show up as **??**, as was the case in the original code. This has been fixed.



(a) First caption



(b) Second caption

Figure 3.4: This is the main caption of the figure.

3.3 Inserting Plates

Colour photographs are now regarded as *plates*. They must be listed in the *List of Plates* instead of the List of Figures, and should be printed in colour on glossy photo paper (Institute of Graduate Studies, Universiti Sains Malaysia, 2007).

The `usmthesis` document class defines a new plate environment, as well as a corresponding `\listofplates` command. (The `\listofplates` command is already placed in the sample template file `usmthesis.tex`.) In short, all you need to do to insert a photograph or plate (as a graphics file `USMScience.{eps,png,jpg}`) is shown in Figure 3.5, and you will then get Plate 3.1 as the result.

```
\begin{plate}[hbt!]\centering
\includegraphics[width=.9\textwidth]{USMScience}
\caption{School of Computer Sciences, USM}\label{plate:ppsk:usm}
\end{plate}
```

Figure 3.5: Inserting a Plate

3.4 Inserting Tables

Typesetting tables can be a little troublesome especially with complex layouts. Look up (Roberts, 2005) to learn about some tips, or you can use the `LaTable` program (<http://www.g32.org/latable/>) to help you.

If using `LaTable`, when you're done designing the table, copy the whole table as \LaTeX code, and paste it in your source file. (You may add additional formatting



Plate 3.1: School of Computer Sciences, USM

commands, like bold, italics, etc.) If this is going to be a numbered table, remember to surround it with `\begin{table}` and `\end{table}`, and give it a caption, like this:

```

\begin{table}[hbt!]\centering
\begin{tabular}{|l|c|r|}
\hline
\textbf{Name} & \textbf{Category} & \textbf{Quantity} \\
\hline\hline
Apple & Fruit & 10 \\
\hline
Cucumber & Vegetable & 25 \\
\hline
Daisy & Flower & 5 \\
\hline
\end{tabular}
\caption{Sample Table Only} \label{table:sample}
\end{table}

```

Figure 3.6: Typesetting Tables

Table 3.1: Sample Table Only

Name	Category	Quantity
Apple	Fruit	10
Cucumber	Vegetable	25
Daisy	Flower	5

Note also that `usmthesis` is configured such that captions for figures are placed *below* the figures, and captions for tables are placed *above* them, in accordance with the formatting guidelines.

Many of us would have had massive headaches about lining up decimal places in table columns (as mentioned in the IPS guidelines) if not for this tip from (Mittelbach et al., 2004, pp. 274–276). This method uses the `dcolumn` package (already loaded by `usmthesis.cls`). Instead of using `l`, `c` or `r` as the column type in the tabular declaration, use

`D{input sep}{output sep}{decimal places}`.

```
\begin{table}[htb!]\centering
\begin{tabular}{| c | D{.}{.}{2} |}
\hline
Item & \multicolumn{1}{c|}{Reading} \\ \hline
A & 1.11 \\ \hline
B & 3.99 \\ \hline
C & 2.27 \\ \hline
\end{tabular}
\caption{A table with decimal data}
\end{table}
```

Figure 3.7: Aligning decimal data in tables

The \LaTeX code in Figure 3.7 will give you Table 3.2.

Table 3.2: A table with decimal data

Item	Reading
A	1.11
B	3.999
C	22.2

Without using `dcolumn`, you’d get something like this:

Table 3.3: A table with decimal data (mis-aligned)

Item	Reading
A	1.11
B	3.999
C	22.2

3.5 Full-paged, Sideways Figures and Tables

To make a figure appear on a landscape, full-page layout, put your `\includegraphics` command in a `sidewaysfigure` environment (Figure 3.8).

```
\begin{sidewaysfigure}\centering
\includegraphics[width=\textwidth]{latex-win-comp}
\caption{A full-page, sideways figure}\label{fig:sidewaysfig}
\end{sidewaysfigure}
```

Figure 3.8: Including a sideways, full-page graphic

The resultant figure (Figure 3.9) should appear on the next page.

For a sideways table, use the `sidewaystable` environment instead around your usual tabular material.

3.6 Mathematical Equations

Typesetting mathematical material is one of, if not *the*, strongest capabilities of \LaTeX . After all, that was the Knuth's main motivation for creating \TeX . As it is impossible to enumerate all possible mathematically-related commands and macros here, we will just give some examples. The reader is directed to the many well-written online tutorials, such as (Roberts, 2005), for more elaborate examples. `TeXnicCenter` also provides many shortcut buttons for inserting mathematical symbols.

$$z^2 = x^2 + y^2 \tag{3.1}$$

$$\phi = \frac{1}{2}(1 + \sqrt{5}) \tag{3.2}$$

$$\phi = 1 + \sum_{n=1}^{\infty} \frac{(-1)^{n+1}}{F_n F_{n+1}} \tag{3.3}$$

Equation 3.1 is the Pythagoras Theorem. (3.2) gives the golden ratio ϕ , and (3.3) relates it to the Fibonacci series.

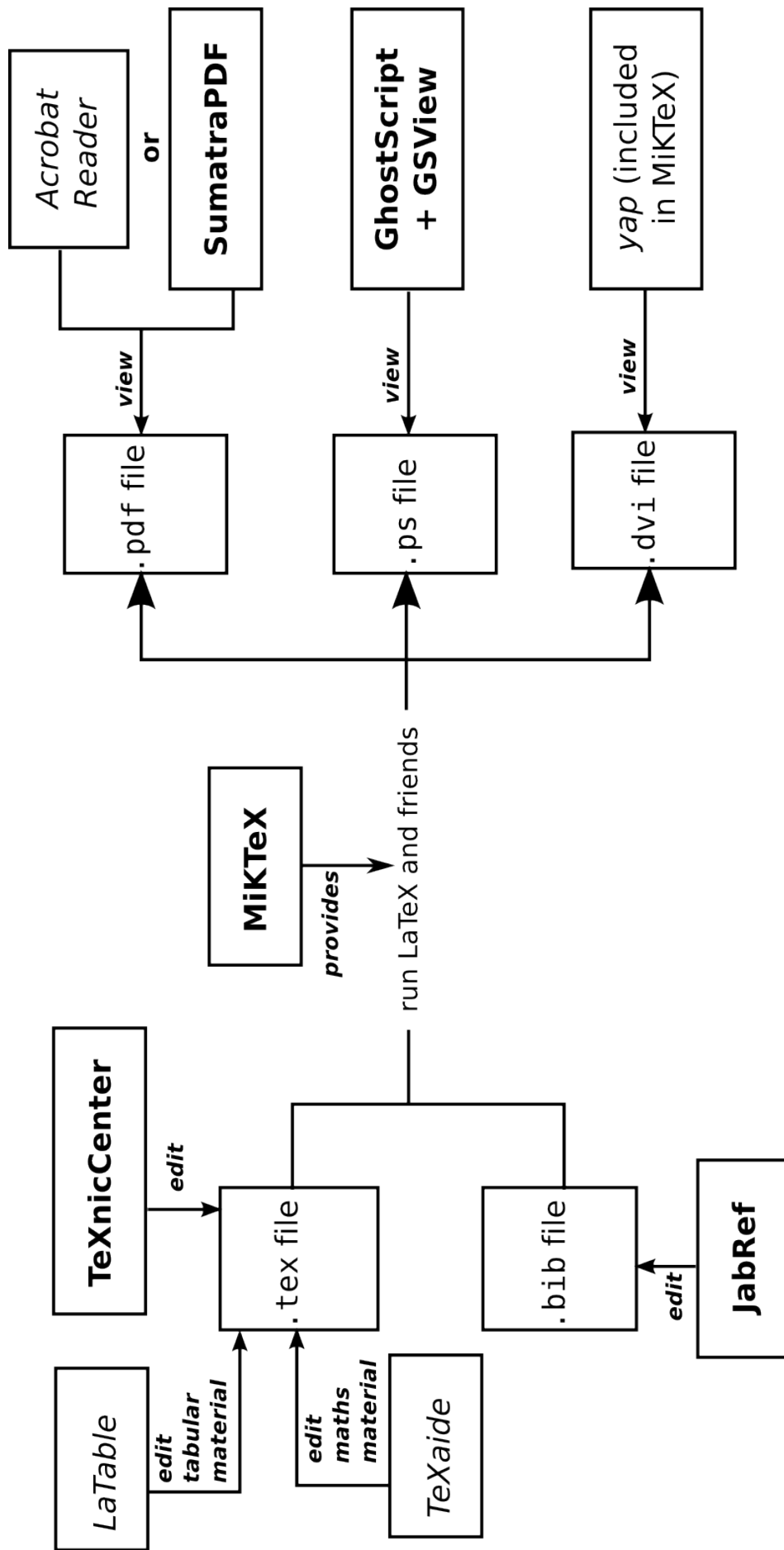


Figure 3.9: A full-page, sideways figure

```

\begin{equation}\label{eq:pythagoras}
z^2 = x^2 + y^2
\end{equation}

\begin{equation}\label{eq:golden:ratio}
\phi = \frac{1}{2} (1 + \sqrt{5})
\end{equation}

\begin{equation}\label{eq:golden:ratio}
\phi = \frac{1}{2} (1 + \sqrt{5})
\end{equation}
\begin{equation}\label{eq:golden:ratio:fibonacci}
\phi = 1 + \sum ^ {\infty} _ {n=1}
\frac{ (-1) ^ {n+1} }{ F_n F_{n+1} }
\end{equation}

Equation~\ref{eq:pythagoras} is the Pythagoras Theorem.
\eqref{eq:golden:ratio} gives the golden ratio  $\phi$ , and
\eqref{eq:golden:ratio:fibonacci} relates it to the Fibonacci
series.

```

Figure 3.10: Typesetting Mathematical Equations

The \LaTeX code to generate the above mathematics materials are shown in Figure 3.10. As you can see, references to equations can be achieved with either `\ref` or `\eqref`.

A disclaimer: if you think the mathematic equations don't look as great as all those \LaTeX advocates make them out to be, that's because IPS requires Times to be used and the current offerings of free \LaTeX math fonts for Times don't look great. It would've been a different picture if we used Computer Modern.

3.7 Acronyms

If you have a list of acronyms or symbols, edit the file `loa.tex` as in Figure 3.11.

You can also use this acronym list to help expand it the first time you mention it in your text. For example, the first time you use `\ac{USM}`, 'Universiti Sains Malaysia (USM)' will be the output (without the quotes). After that, all calls to `\ac{USM}` will give 'USM' (without the quotes). For more information, see the

```

\begin{acronym}[UTMK] %% replace 'UTMK' with the longest acronym in
    your list
\acro{IPS}{Institut Pengajian Siswazah}
\acro{PPSK}{Pusat Pengajian Sains Komputer}
\acro{USM}{Universiti Sains Malaysia}
\acro{UTMK}{Unit Terjemahan Melalui Komputer}
\end{acronym}

```

Figure 3.11: The template loa.tex for acronyms

documentation for the acronym package.

3.8 Typesetting Algorithms

As computer scientists, it is quite common to include algorithms and/or pseudocode. There are a number of different packages available, but unfortunately they tend not to work well together! I'm using algorithmicx here.

```

\begin{algorithm}[hbt!]
\begin{algorithmic}
\Require $n \geq 0$
\Ensure $y = x^n$
\State $y \leftarrow 1$
\State $X \leftarrow x$
\State $N \leftarrow n$
\While{$N \neq 0$}
\If{$N$ is even}
\State $X \leftarrow X \times X$
\State $N \leftarrow \frac{N}{2}$ \Comment{This is a comment}
\ElseIf{$N$ is odd}
\State $y \leftarrow y \times X$
\State $N \leftarrow N - 1$
\EndIf
\EndWhile
\end{algorithmic}
\caption{Computing $x^n$, $n > 0$}
\end{algorithm}

```

Figure 3.12: Typesetting Algorithms

Algorithm 1 Computing $x^n, n > 0$

Require: $n \geq 0$ **Ensure:** $y = x^n$ $y \leftarrow 1$ $X \leftarrow x$ $N \leftarrow n$ **while** $N \neq 0$ **do** **if** N is even **then** $X \leftarrow X \times X$ $N \leftarrow \frac{N}{2}$

▶ This is a comment

else if N is odd **then** $y \leftarrow y \times X$ $N \leftarrow N - 1$ **end if****end while**

3.9 Program Listings

You may have noticed that I used the `lstlisting` environment to typeset some of the \LaTeX examples – with pretty-printing¹, too, including automatic line-breaking. For more information, see the documentation for the `listings` package: it’s available online at <https://ctan.org/pkg/listings?lang=en>.

Just to give some simple example here. For example, to typeset a “Hello World” Java program with syntax highlighting, you can use the following code:

```
\lstset{basicstyle=\small\ttfamily, language=Java, breaklines=true,
        columns=fullflexible, tabsize=2}
\begin{lstlisting}
public class HelloWorld {
    public static void main( String arg[] ) {
        for (int i = 0; i < 10; i++) {
            System.out.println( "Hello World!" + i);
        }
    }
}
\end{lstlisting}
```

Figure 3.13: Typesetting a Java program listing

If you want to turn off the syntax highlighting, set `language={}`. (See the `listings` documentation for a list of programming languages for which syntax highlighting is

¹Whether you agree that it *is* pretty is another story altogether.


```

public class HelloWorld {
    public static void main( String arg[] ) {
        for (int i = 0; i < 10; i++) {
            System.out.println( "Hello World!" + i);
        }
    }
}

```

Figure 3.14: A pretty-printed Java program listing with syntax highlighting

supported.) You can also change the `basicstyle` value to get different effects: e.g. a different font family, size or text formatting.

Here's another example for a C program:

```

\lstset{basicstyle=\sffamily, language=C, breaklines=true, columns=
    fullflexible, tabsize=2}
\begin{lstlisting}
int main() {
    int c = 0;
    c = c + 1;
    printf( "%d", c );
    return 0;
}
\end{lstlisting}

```

Figure 3.15: Typesetting a C program listing

```

int main() {
    int c = 0;
    c = c + 1;
    printf( "%d", c );
    return 0;
}

```

Figure 3.16: A pretty-printed C program listing with syntax highlighting

And here is the same C program listing *without* syntax highlighting (by setting `language={}`):

```
int main() {  
    int c = 0;  
    c = c + 1;  
    printf( "%d", c );  
    return 0;  
}
```

Figure 3.17: A C program listing without syntax highlighting

CHAPTER 4

IMPLEMENTATION

Now is the time to “implement” your thesis with \LaTeX . Go forth and typeset!
Happy \LaTeX ing! ☺

4.1 Printing Your Thesis

This is *very* important. Assuming you’re printing your thesis from Acrobat Reader, make sure the following settings are chosen correctly in the Print window:

- A4 paper size is selected.
- Make sure your Printer settings is using A4 too.
- No page scaling.

Otherwise, the margins of your printed outputs may go horribly wrong. Print one or two pages first to make sure everything looks fine before printing your entire thesis.

CHAPTER 5

DISCUSSION

Just a placeholder for the discussion chapter.

CHAPTER 6

CONCLUSION

T-that's all folks. Have fun with L^AT_EX!

REFERENCES

- Institute of Graduate Studies, Universiti Sains Malaysia. (2007). *A guide to the preparation, submission and examination of theses*.
- Lim, L. T. (2007). \LaTeX : Beautiful typesetting. <http://liantze.penguinattack.org/latextypesetting.html>
- Mittelbach, F., Goossens, M., Braams, J., Carlisle, D., & Rowley, C. (2004). *The \LaTeX companion* (2nd). Addison-Wesley.
- Oetiker, T., Partl, H., Hyna, I., & Schlegl, E. (2006). *The not so short introduction to $\LaTeX 2_{\epsilon}$* (4.2).
- Roberts, A. (2005). Getting to grips with \LaTeX . <http://www.andy-roberts.net/misc/latex/index.html>

APPENDICES

APPENDIX A DATA USED

Put some test data here.

Joseph Ooi: You can still make sections and subsections as usual. This is essentially the same as you would do for chapters, but instead you **MUST USE** `\appchapter{...}`, **NOT** `\chapter{...}`. The rest are unchanged.

A.1 Example Appendix Section

A.1.1 Example Appendix Subsection

APPENDIX B UML DIAGRAMS

Yet another dummy placeholder for appendix material.

Joseph Ooi: Another reminder to **USE** `\appchapter{...}` for the appendix chapters, **DO NOT USE** `\chapter{...}`.

LIST OF PUBLICATIONS

Lim, L. T. (2007a). \LaTeX : Beautiful typesetting. <http://liantze.penguinattack.org/latextypesetting.html>

Lim, L. T. (2007b). Writing your thesis with \LaTeX .